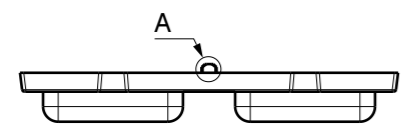
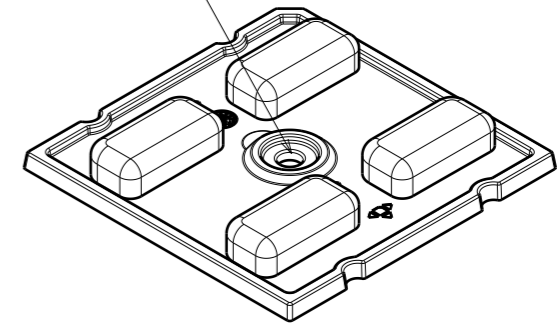
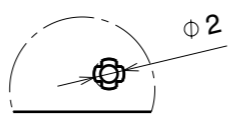


Recommended screw M3 for fixing, use washer when possible



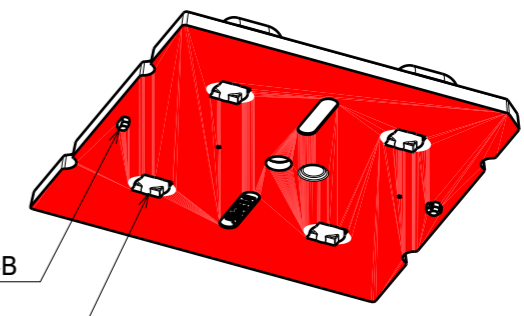
Detail A
Scale: 2:1



Detail B
Scale: 2:1

Position pin 2pcs, cutout needed to PCB

Recess 4pcs for LED



Notes

- PCB or heatsink level.
- LED location
- Ensure LED fitting from a product specific 3D model available from www.ledil.com
- For more details about installation please see LEDiL Installation Guide on www.ledil.com

PART	TYPE	MATERIAL	COLOR / COATING
C17118_STRADA-2X2-T1-M	Lens	PMMA	Clear

MECHANICAL DRAWING		LEDiL®
PRODUCT STRADA		
Plastic moulding general tolerances according to DIN 16901-130 and applies if not otherwise shown in the drawing. Silicone moulding general tolerances according to ISO 3302-1 Class M3 and applies if not otherwise shown in the drawing.	FIRST ANGLE PROJECTION: 	This drawing is the property of LEDiL Oy. It may not be copied or otherwise distributed without prior written permission from LEDiL Oy.
SCALE 1:1	WEIGHT -	A3 SHEET 1/1